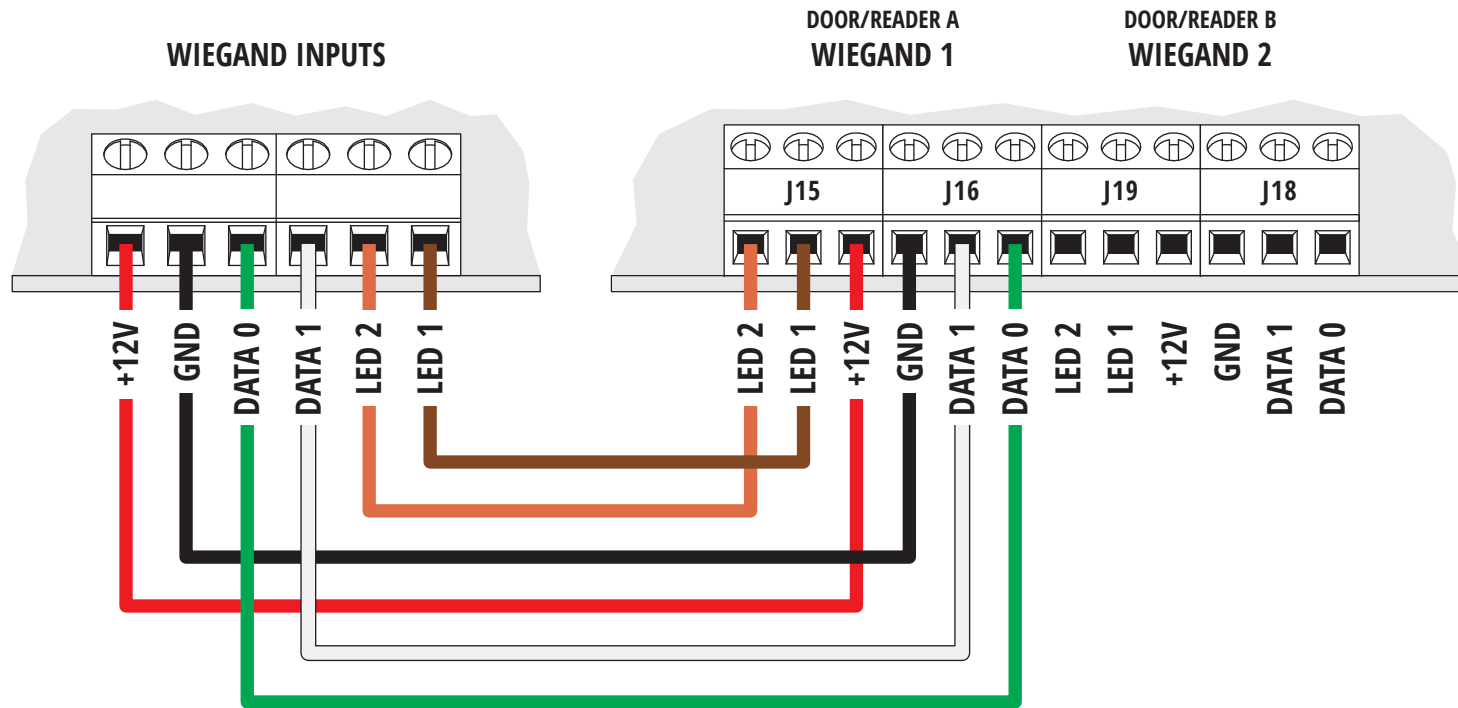


Wiegand Device

Ascent



CAUTION!

Disconnect power to Ascent unit before connecting Wiegand devices.

Failure to disconnect power can damage unit!



IMPORTANT!

Wiegand inputs are **NOT AVAILABLE** on all Ascent models.

Please ensure your model is Wiegand compatible before proceeding.

NEED HELP

Call (844) 259-8265

Email support@summitcontrol.com

We are available **Mon-Fri / 8am-5pm Central**



SECURITY BRANDS INC
your *partner* in access control